

技术参数

TECHNICAL DATA

- ▶ 外廓尺寸 (长 x 宽 x 高): 1240 毫米 * 876毫米 * 960毫米
 - ▶ 自重(包含消防炮): 260 千克
 - ▶ 最大重量(包含消防炮): 310 千克
 - ▶ 有效载荷: 340 千克
 - ▶ 速度: 2,6千米/小时 (视载荷而定)
 - ▶ 障碍物通过性能: 265 毫米
 - ▶ 上下坡角度: 31°
 - ▶ 倾侧角度: 28°
 - ▶ 刹车距离: 0 米 (视载荷而定)
 - ▶ 转弯范围: 770 毫米
 - ▶ 直线偏离: 小于 1°
 - ▶ 抗氧化处理: 铝合金硬质阳极氧化
 - ▶ 续航里程: 2/4 小时 (1 或 2 块电池)
 - ▶ 遥控距离: 空地200米以上
 - ▶ 防水等级: IP66
 - ▶ 数码影像传输
 - ▶ 不锈钢防水摄像头316L (50m) 传感器 976 x 582 像素 (Sony Super HAD II)
 - ▶ LED远距离探照灯1500流明, IP67
 - ▶ 备用电池48伏60 安/小时
 - ▶ 控制系统搬运手提箱
- ▶ Dimensions (L x l x H): 1240 mm * 876 mm * 960 mm
 - ▶ Tare weight (monitor included): 260 Kg
 - ▶ Maximum weight (monitor included): 310 Kg
 - ▶ Payload: 340 Kg
 - ▶ Speed: 2,6 Km/h (regardless of the load)
 - ▶ Obstacle clearance: 265 mm
 - ▶ Up and down slope: 31°
 - ▶ Tilting angle: 28°
 - ▶ Breaking distance : 0 m (regardless the load charge)
 - ▶ Turning radius: 770 mm
 - ▶ Less than 1° deviation in straight line
 - ▶ Anticorrosion treatment: anodised aluminium alloy
 - ▶ Duration: 2/4 hours (1 or 2 batteries)
 - ▶ Radio range: greater than 200 m in free field conditions
 - ▶ Waterproofing: IP66
 - ▶ Numeric video transmission
 - ▶ Stainless steel waterproof camera 316L (50 m) 976 x 582 pixels (Sony Super HAD II sensor)
 - ▶ LED long range projectors 1500 LM, IP67
 - ▶ Extra battery 48 V 60 amp/hour
 - ▶ Control system transport case

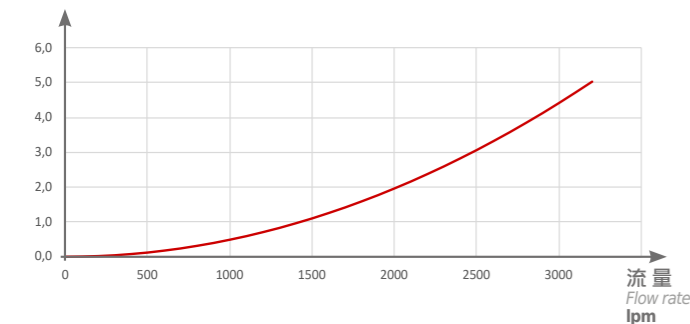
性能曲线

CHARACTERISTIC GRAPHS

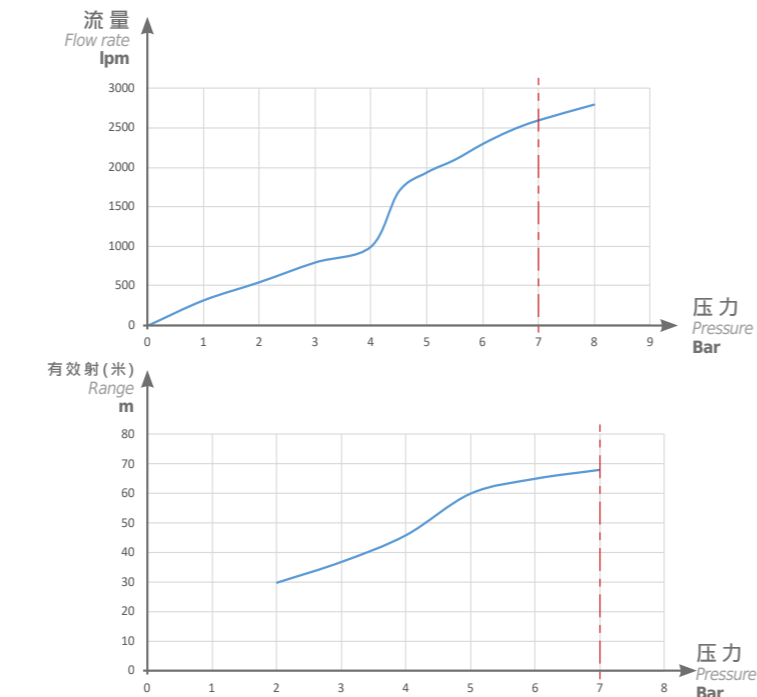
▶ DN65 消防炮和消防机器人整体压力损耗曲线
DN65 monitor and robot assembly pressure loss graph

▶ $Kv = 1677 - Kv$ 表达式: $Q(\text{升/分}) / \sqrt{P(\text{公斤})}$

$Kv = 1677 - Kv$ is expressed in $\frac{Q(\text{l/min})}{\sqrt{P(\text{bar})}}$



▶ 流量曲线 / 压力 / 射程: DN65 消防炮配自动调压炮头
2500 升/分钟
DN65 monitor and automatic diffuser 2500 lpm
Flow rate / pressure / range graphs



PLA_01169_Flyer CH-EN_火神机器人_JUPITER



POK CHINA

博克消防装备科技有限公司

地址: 北京市顺义区南彩镇彩达三街一号茂华工场5号厂房2层201室 · POK

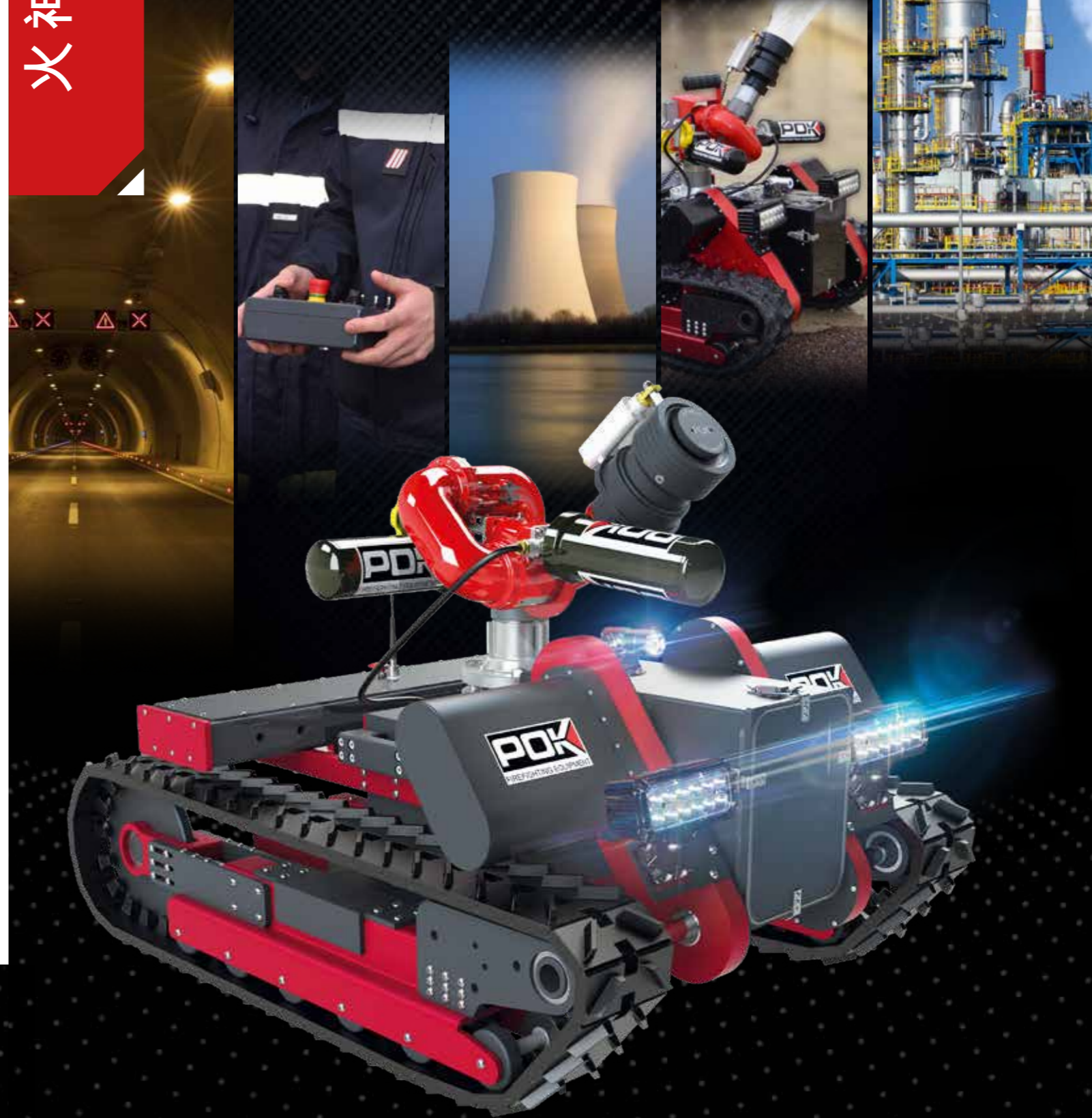
电话: 010 64667868

邮箱: info@pokchina.com sales@pokchina.com

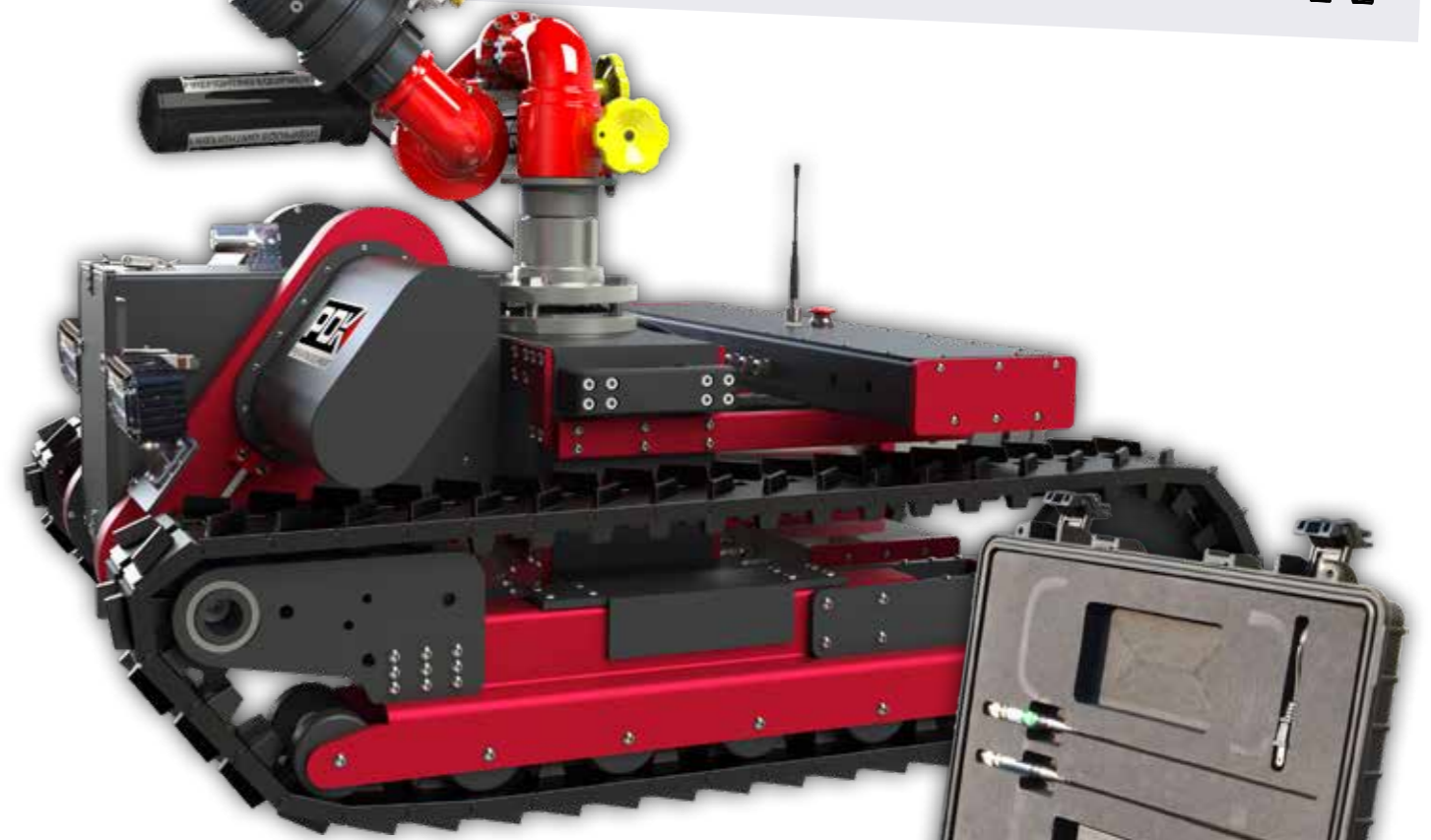
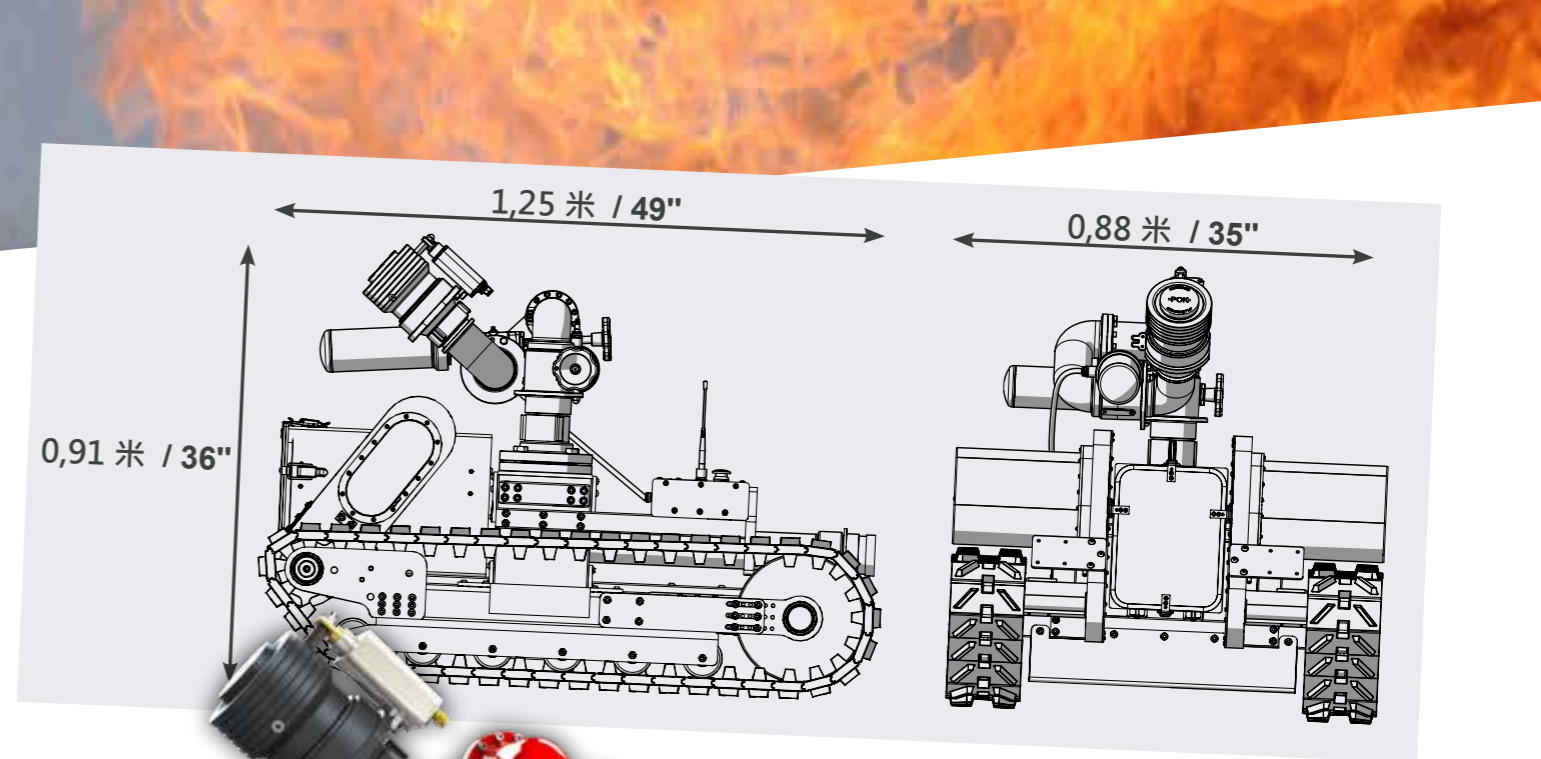
www.pokchina.com

火神机器人
JUPITER

POK
FIREFIGHTING EQUIPMENT



充满激情的创造者 - WE CREATE WITH PASSION



优势

- ▶ 可在封闭空间操作
- ▶ 可360°旋转和倒车
- ▶ 无级变速控制, 易操作性强
- ▶ 低重心, 适用于所有类型场地中拥有优异的抓地能力
- ▶ 可轻松穿越障碍物/台阶
- ▶ 机器人/消防炮统一联合控制台: 可实现单人操作
- ▶ 50米铝合金LED射灯
- ▶ 配有高清LED夜视摄像头(完全黑暗情况下可视距离:10米)
- ▶ 整体可潜水
- ▶ 数码视频传播系统. 保证图像传播优质稳定
- ▶ 机器人可装配压重装量
- ▶ 可牵引60米长的DN65通水后的水带

LEADING EDGE

- ▶ Ability to operate in very confined spaces
- ▶ Reverse and 360° swivel functionalities
- ▶ State-of-the-art maneuverability thanks to its progressive speed control
- ▶ Low gravity centre for better grip on all ground types
- ▶ Ability to clear stairways or obstacles
- ▶ Combined remote control for the monitor and the robot with single operator mode
- ▶ 50 m led spotlight made of aluminium
- ▶ Fitted with a high-resolution night operating LED camera with a 10 m range in total darkness
- ▶ Fully submersible
- ▶ Great image stability thanks to its digital video transmission
- ▶ Possibility to add ballast
- ▶ Can be equipped with a 60 m DN65 hose